

[www.dovecont.com](http://www.dovecont.com)

**MEP**  
CONTRACTING COMPANY



## Dove Contracting LLC

Dove Contracting LLC is an epitome of Electromechanical industry in UAE, with industry leading clientele & Outstanding reputation since 2002.

# ■ TABLE OF CONTENT

• Welcome	01
• About Us	02
• Vision & Mission	04
• MD Message	05
• Organization Chart	06
• Corporate Strategy	07
• Project Management	10
• Our Services	15 - 21
• Our Valuable Clients	22
• Project Showcase	23

# WELCOME TO OUR COMPANY

We appreciate you taking the time to go through the Dove Contracting LLC Profile. This is a great opportunity for us to Communicate our services and key competitive strengths to you.

This profile is designed to provide you with an introduction to Dove Contracting, and we hope and look forward to meeting our clients Personally to develop a relationship through one-on-one Interaction shortly.

Since our inception in 2002, we have developed a trusted and Reliable contracting company by building lasting relationships with our clients, employees, suppliers and contractors. With over years of work under our belts, we continue to learn, and build from this experience.

We thank all those who have contributed to the development of Dove Contracting LLC over the years, and we thank you for your interest in our Company, and look forward to working with you

## ETHICS

We at Dove Contracting remain true to our founding values of providing quality, honest and hard work, instilled right from the outset by our founder.

Dove Contracting has the honor and privilege of leading some of the good projects.

## STAFF

We recognize that our primary asset is our people, and that a truly successful company needs to be a rewarding work environment for its staff. Our organization is structured and managed to provide ample opportunity and encouragement for our team to reach their optimum potential.

## PHILOSOPHY

Lasting relationships are the lifeblood of business in our industry. At all times, we strive for solutions that best achieve our contractors & client's needs and goals.

## ■ About Us



Dove Contracting LLC is an epitome of contracting industry in UAE, with industry leading clientele & Outstanding reputation since 2002.



We started our journey in 2002 with small projects, residential villa's, residential housing schemes, and started to develop our relations with MEP contractors, consultants and developers.

By the end of 2006, with sheer dedication & passion of our CEO and team, in Electromechanical feild, we started achieving, what we once dreamed off. We secured our first big project valued at 20million. And after that we were unstoppable in completing our milestone year by year.

Today, Dove Contracting LLC, as a company stands out in performance, with excellent workmanship skills, Talented and passionate Engineers, designers and workers.

We have been actively involved in the UAE's development journey since 2002, by completing numerous projects for government, investors, developers and consultants. We forecast, by 2025-2030 there will be more development coming in our way, and we keep serving the country of UAE.

# ■ Core Values



## Commitment to Excellence

We are dedicated to delivering high-quality MEP solutions with precision, ensuring every project meets the highest industry standards.



## Integrity & Transparency

Our work culture is built on honesty, ethical practices, and clear communication, fostering trust with our clients, partners, and team members.



## Innovation & Efficiency

We continuously embrace new technologies and smarter practices to drive innovation, optimize processes, and deliver efficient project outcomes.

## Business Main Ideas

### Driven by Expertise, Powered by Passion

At Dove Contracting LLC, we combine deep technical knowledge with a genuine passion for engineering excellence.

Our focus is on delivering comprehensive MEP solutions that meet evolving client needs, ensuring every project benefits from smart planning, seamless execution, and sustainable practices.

We believe in building lasting relationships through quality, reliability, and client-centered service. Our team's commitment to continuous improvement drives us to achieve outstanding results, project after project.

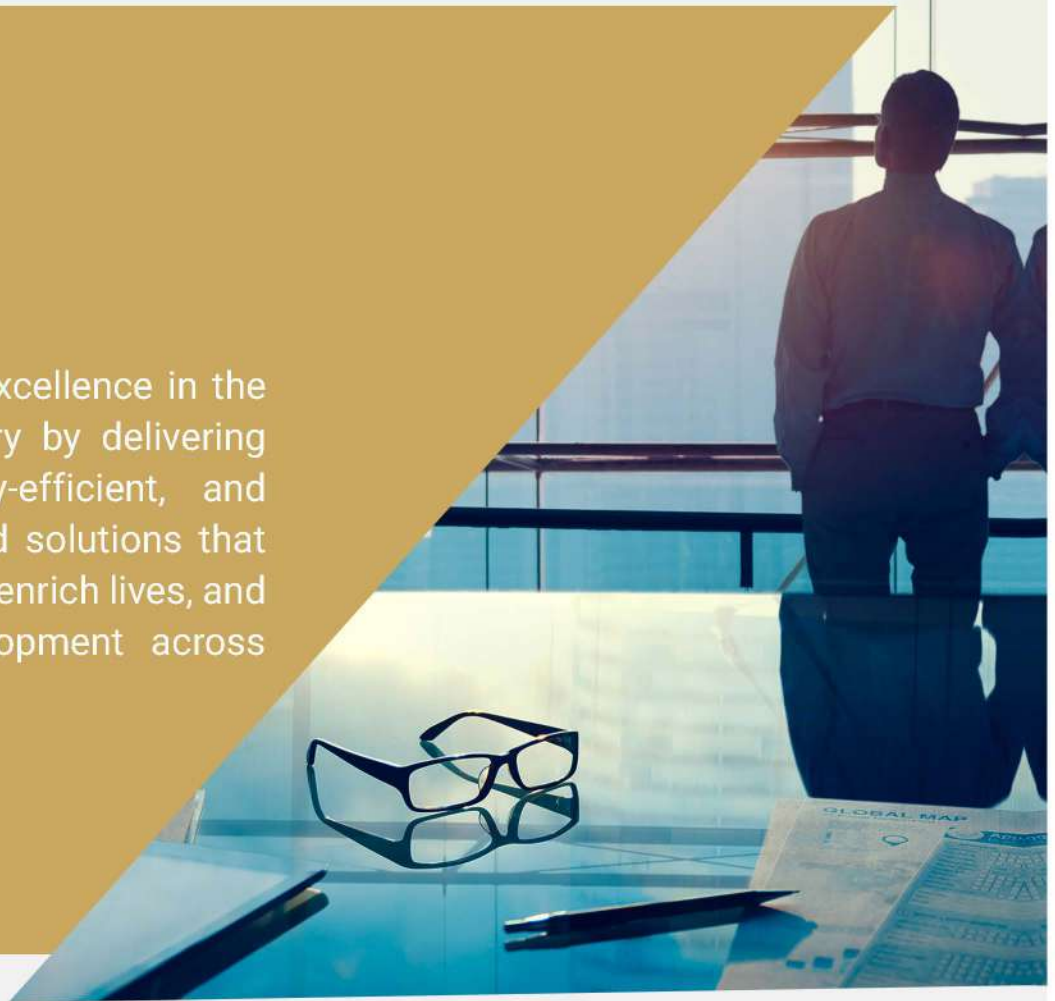


# ■ Vision & Mission



## Vision

To be a benchmark of excellence in the MEP contracting industry by delivering forward-thinking, energy-efficient, and technologically advanced solutions that transform infrastructure, enrich lives, and drive sustainable development across the built environment.



## Mission

Our mission is to lead the MEP contracting sector through unwavering commitment to engineering excellence, innovation, and sustainable practices. We aim to deliver integrated, high-performance solutions tailored to the evolving needs of our clients, while ensuring the highest standards of safety, quality, and operational integrity.

We cultivate a dynamic and inclusive work environment that empowers our people, embraces cutting-edge technologies, and fosters continuous improvement. Through strategic collaboration with clients, consultants, and stakeholders, we strive to create long-term value, elevate industry standards, and contribute meaningfully to the advancement of resilient and intelligent infrastructure.

# ■ Managing Director Message

**Mr. Abdullah Mohammed Hassan Khader**

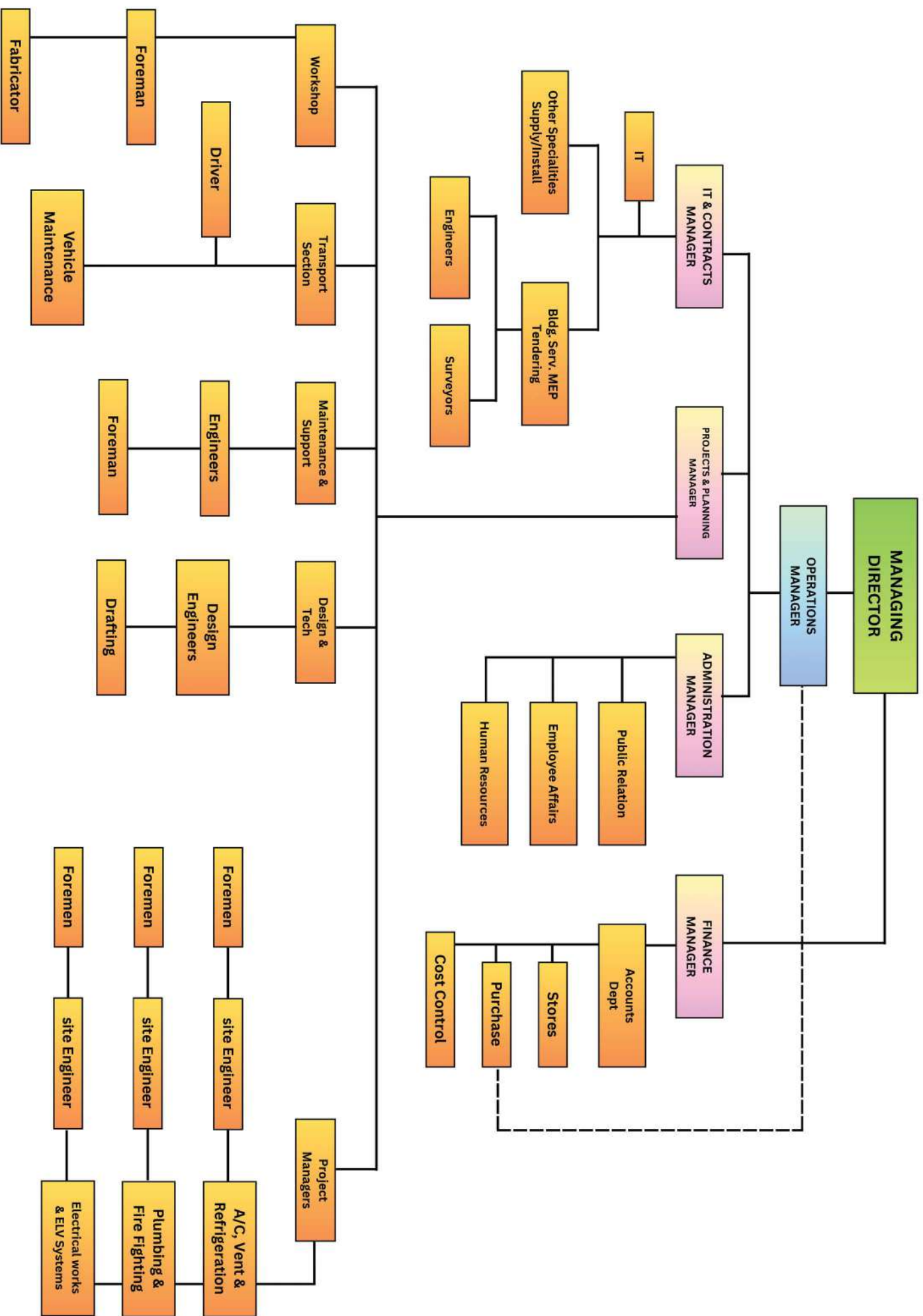
In today's rapidly evolving construction landscape, what truly sets us apart is not just the systems we install—but the values we build into every project. At Dove Contracting LLC, we believe in engineering more than infrastructure; we believe in creating sustainable environments that serve people and purpose.

Our aim is driven by precision, integrity, and a commitment to excellence across every mechanical, electrical, and plumbing service we deliver. From residential towers to commercial developments, our focus remains on quality execution, timely delivery, and strong client partnerships.



We understand that every structure we touch impacts lives—and that is a responsibility we do not take lightly. That's why we continue to innovate, invest in talent, and maintain the highest standards of quality and safety across all our projects.

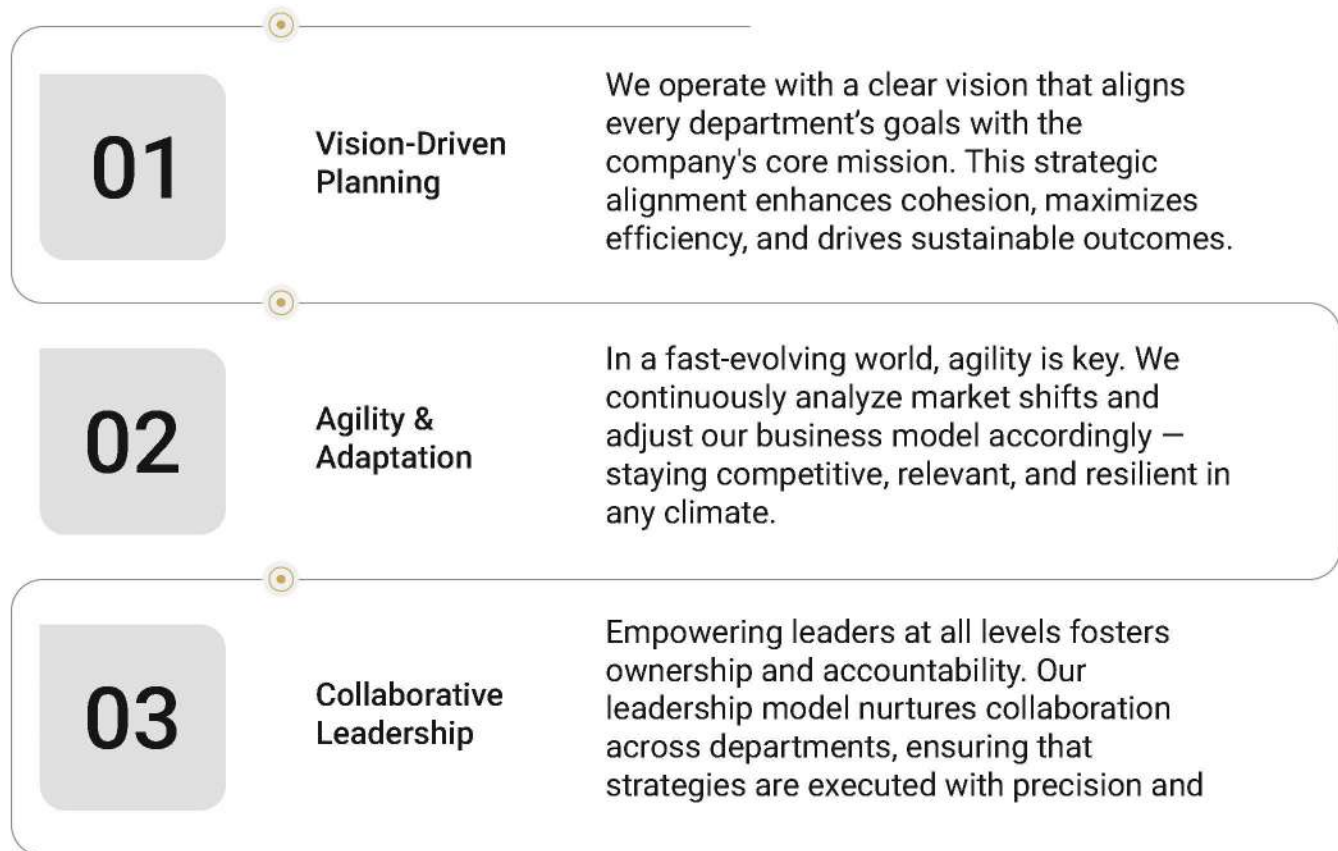
Thank you for your trust in our company. Together, we build not just projects—but progress.



# ■ Corporate Strategy

**Building purposeful connections to drive performance, innovation, and value.**

Our corporate strategy is rooted in forming meaningful connections – with clients, teams, stakeholders, and technology – to inspire innovation, sustainability, and long-term growth.



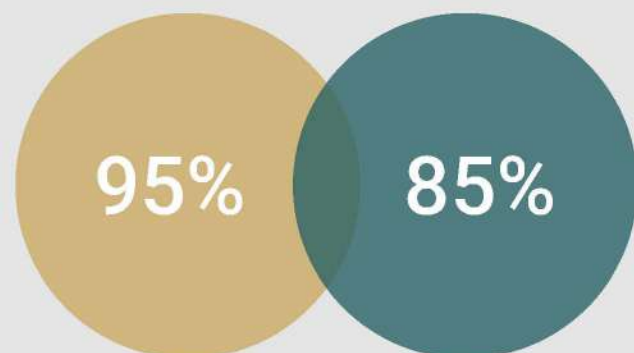
## Impact in Numbers

### Strategic Engagement

95% Of our stakeholders report enhanced trust and alignment after strategy integration.

### Innovation Acceleration

85% Increase in project efficiency through agile and tech-enabled processes.



# ■ Operation Plan



At Dove Contracting LLC, our operational plan revolves around precision, reliability, and innovation. Every phase is meticulously designed to achieve excellence and exceed client expectations.

Project Assessment	Customized Solutions	Risk Management	Performance Review
Comprehensive analysis to identify project scope, risks, and resource needs before execution.	Tailor-made strategies developed to align with each client's unique business objectives.	Proactive identification and mitigation of potential obstacles to ensure smooth project flow.	Ongoing evaluations and improvements based on measurable outcomes and client feedback.



## TEAMWORK THAT DRIVES SUCCESS

Our Team, Our Strength

We believe great outcomes stem from great collaboration. Our multidisciplinary team works closely with clients to understand their vision and turn it into reality.

### **Commitment to Communication**

Clear, proactive communication ensures transparency at every project stage, building strong partnerships with our clients.

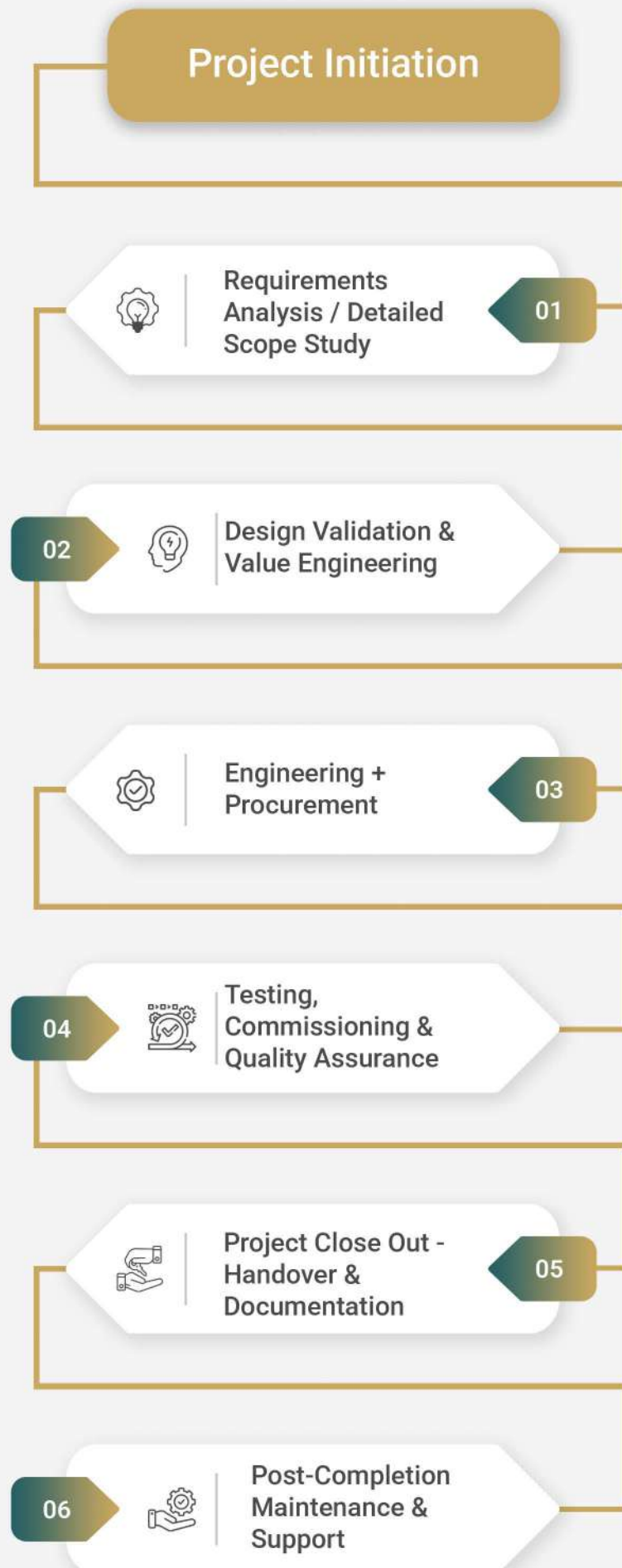
### **Client-Centric Approach**

We prioritize client needs, adapting solutions to meet evolving demands without compromising on quality.

### **Focus on Sustainable Solutions**

Environmentally responsible designs and practices are embedded in our projects, contributing to a greener future.

# ■ Project Management



# ■ Our Departments



## Design & Drafting Department

This department consists of innovative Engineers and skilled draughtsman capable of delivering concept designs, engineering designs, shop drawings and built drawings for all mechanical, electrical and plumbing projects. The personnel in this section possess the requisite skills needed to design electrical networks and distribution systems.

## Tender & Estimation Department

This section is constituted of handpicked engineers, technicians and interior decorators known for their excellence in service delivery and innovation. Benefits to our clients:

Saving senior member efforts in large volume repetitive work of sending similar information in large number of PQQ responses Our clients do not spend resources in PQQ search Clients do not have to spend effort in PQQ response Our knowledge due to our experience ensures quality response

## Planning & Quantity Surveying

Duties in this division include preparation of take-off quantities and comparison of these quantities with the approved drawings for identification of any variation in quantity and dimensions. It provides accurate information on project schedules and constantly monitors activities in order to identify and eliminate the factors that could delay the project. Work notifications are checked here in this section ensuring error-free monthly payment certificates.

# ■ Our Departments



## Procurement & Supply Chain Management

This department is responsible for sourcing quality materials and equipment from reliable suppliers at competitive prices. Our procurement team ensures timely delivery of resources to avoid project delays, maintain cost efficiency, and ensure compliance with project specifications. Strong relationships with vendors and a streamlined supply chain system allow us to meet urgent project requirements without compromising on quality or performance.

## Project Execution & Site Management

Our Project Execution & Site Management department comprises experienced site engineers, supervisors, and foremen who ensure that MEP installations are carried out in accordance with approved drawings, specifications, and safety standards. This team coordinates with various stakeholders to manage timelines, manpower, materials, and machinery. Their proactive approach ensures smooth execution and timely completion of all project phases.

## Commissioning & Handover

Our Commissioning & Handover team ensures that all MEP systems are tested, balanced, and fully operational before final handover to the client. This includes functionality checks, performance verification, and complete documentation. The team coordinates closely with consultants and facility managers to ensure a smooth transition from construction to operational use.



- **Client Portfolio**

Inspire us as we  
redefine living.

### **Building Long-Term Partnerships with Trust and Excellence**

At Dove Contracting LLC, we take immense pride in the trust our clients place in us. Over the years, we have built strong and lasting partnerships with a wide spectrum of clients – from leading developers and consultants to private enterprises. Our client portfolio reflects our unwavering commitment to delivering quality, reliability, and value in every project we undertake.

We believe that each client relationship is built on a foundation of integrity, mutual respect, and a shared vision for success. Our ability to consistently meet project timelines, maintain high standards of safety and quality, and provide innovative MEP solutions has earned us repeat business and long-term collaborations.

As we continue to grow, we remain committed to strengthening our client relationships and expanding our reach with the same core values that define Dove Contracting LLC.

# ■ Key Clients



## Empowering visions, enriching communities.

At the heart of everything we do is our commitment to our clients – visionary partners who challenge convention and inspire innovation. They value excellence, trust collaboration, and believe in creating a legacy that enhances the lives of others.

We don't just build solutions; we build relationships grounded in integrity and mutual respect. Together with our clients, we redefine industries, raise standards, and transform possibilities into lasting impact.

EMAAR

### Redefining Luxury Real Estate in Dubai ★★★★★

Emaar, which has established competencies in real estate, retail and shopping malls, hospitality, and leisure, shapes new lifestyles through its commitment to design excellence, build quality, and timely delivery.

IMTIAZ  
DEVELOPMENTS

### Guided by innovation and inspired by the extraordinary ★★★★★

Imtiaz Development believes that the future of real estate lies not just in building spaces but in creating immersive experiences that inspire, transform, and integrate communities.

TARAF

### Taraf ★★★★★

Taraf develop highly-sought-after properties using its unique approach which focuses on three guiding principles.

We Shape | We Craft | We Create

ELLINGTON  
PROPERTIES

### Supporting emerging artists in the UAE ★★★★★

Since 2015, Ellington has been an advocate of the arts and a catalyst of growth within Dubai's artistic community. Our properties have become a platform for new artists to showcase their work, framed among exceptional surroundings.

# ISO Certificate

CERTIFICATE CERTIFICADO CERTIFICAT ΠΙΣΤΟΠΟΙΗΤΙΚΟ



## CERTIFICATE OF REGISTRATION

It is confirmed that the management system of

**DOVE CONTRACTING LLC**  
Office 107, Lulu Building, Almuteena Street - Deira Dubai

It has been evaluated and complies with the requirements of  
**ISO 9001:2015**  
**Quality Management System**  
This certificate is valid for the following activities

Technical Services Works Electrical Fittings & Fixtures Repairing & Maintenance Solar Energy Systems Installation Plumbing & Sanitary Installation Electromechanical Works Contracting Air-Conditioning, Ventilations & Air Filtration Systems Installation & Maintenance

Certificate Number: UAE-SISTEMA/DCL/0523/Q6115  
Initial Issue: 03.05.2023  
Issue date: 07.05.2025  
Expiry date: 02.05.2026  
Date of second surveillance: 03.04.2025  
Recertification date: 03.04.2026



*Said Kishna*  
Managing Director

Verify the certificate: [www.sistemacerts.com](http://www.sistemacerts.com)

The Organization's documentation and implementation has been reviewed and found to comply with the relevant standard rules. This certificate of registration is based on the evaluation of the mentioned scope and also responsible for maintaining the responsibilities of the relevant standard rules. If any changes in the Activities of the Company, this certificate invalid. The validity of certificate is subject to Successfully Completion of surveillance audit on before due dates and its only valid after successful surveillance with continuation letter issued by us. QUALITY SISTEMA Certifications and Inspectors Pvt. Ltd., Head-quarters: FF-55-1914, Sector -H, LDA Colony, Kanpur Road, Lucknow-226012.

CERTIFICATE CERTIFICADO CERTIFICAT ΠΙΣΤΟΠΟΙΗΤΙΚΟ



## CERTIFICATE OF REGISTRATION

It is confirmed that the management system of

**DOVE CONTRACTING LLC**  
Office 107, Lulu Building, Almuteena Street - Deira Dubai

has been evaluated and complies with the requirements of  
**ISO 14001:2015**  
**Environment Management System**  
This certificate is valid for the following activities

Technical Services Works Electrical Fittings & Fixtures Repairing & Maintenance Solar Energy Systems Installation Plumbing & Sanitary Installation Electromechanical Works Contracting Air-Conditioning, Ventilations & Air Filtration Systems Installation & Maintenance

Certificate Number: UAE-SISTEMA/DCL/0523/E6116  
Initial Issue: 03.05.2023  
Issue date: 07.05.2025  
Expiry date: 02.05.2026  
Date of second surveillance: 03.04.2025  
Recertification date: 03.04.2026



*Said Kishna*  
Managing Director

Verify the certificate: [www.sistemacerts.com](http://www.sistemacerts.com)

The Organization's documentation and implementation has been reviewed and found to comply with the relevant standard rules. This certificate of registration is based on the evaluation of the mentioned scope and also responsible for maintaining the responsibilities of the relevant standard rules. If any changes in the Activities of the Company, this certificate invalid. The validity of certificate is subject to Successfully Completion of surveillance audit on before due dates and its only valid after successful surveillance with continuation letter issued by us. QUALITY SISTEMA Certifications and Inspectors Pvt. Ltd., Head-quarters: FF-55-1914, Sector -H, LDA Colony, Kanpur Road, Lucknow-226012.

CERTIFICATE CERTIFICADO CERTIFICAT ΠΙΣΤΟΠΟΙΗΤΙΚΟ



## CERTIFICATE OF REGISTRATION

It is confirmed that the management system of

**DOVE CONTRACTING LLC**  
Office 107, Lulu Building, Almuteena Street - Deira Dubai

It has been evaluated and complies with the requirements of  
**ISO 45001:2018**  
**Occupational Health & Safety Management System**  
This certificate is valid for the following activities

Technical Services Works Electrical Fittings & Fixtures Repairing & Maintenance Solar Energy Systems Installation Plumbing & Sanitary Installation Electromechanical Works Contracting Air-Conditioning, Ventilations & Air Filtration Systems Installation & Maintenance

Certificate Number: UAE-SISTEMA/DCL/0523/O6117  
Initial Issue: 03.05.2023  
Issue date: 07.05.2025  
Expiry date: 02.05.2026  
Date of second surveillance: 03.04.2025  
Recertification date: 03.04.2026



*Said Kishna*  
Managing Director

Verify the certificate: [www.sistemacerts.com](http://www.sistemacerts.com)

The Organization's documentation and implementation has been reviewed and found to comply with the relevant standard rules. This certificate of registration is based on the evaluation of the mentioned scope and also responsible for maintaining the responsibilities of the relevant standard rules. If any changes in the Activities of the Company, this certificate invalid. The validity of certificate is subject to Successfully Completion of surveillance audit on before due dates and its only valid after successful surveillance with continuation letter issued by us. QUALITY SISTEMA Certifications and Inspectors Pvt. Ltd., Head-quarters: FF-55-1914, Sector -H, LDA Colony, Kanpur Road, Lucknow-226012.

# ■ QHSE Policy

## (Quality Health Safety & Environment)

### Policy



Dove Contracting LLC strives to achieve a best practice in the field of MEP in synchrony with quality, health, safety and environment. Our objective is to stimulate improved and effective performance through employee participation on all levels. The continuous improvements are aimed at enhancing productivity, client relationship satisfaction, control and assurance on quality, providing training, health and safety, as well as protecting the environment.

---

### Quality Management System Procedures



Dove Contracting LLC follows Quality Management System Procedures to monitor the management system in line with the International Standard. The management is keen on implementing these procedures and seeks to attain accreditations & certifications from International Standard Organizations.

---

### Health, Safety, & Environment



We are focused on the safety of our workforce and protecting the communities where we operate. We provide full and extensive training for our people, and our processes are fully in-line with international health, safety and environment (HSE) standards.

# ■ Company Services



## Our Services

What we all truly value is reliability, safety, and seamless integration. In the MEP contracting sector, our goal is to create connections—between systems, between professionals, and between design and execution.

---

### Dove Contracting LLC

---

We bring together technical precision, industry standards, and innovative solutions to deliver optimal performance in mechanical, electrical, and plumbing systems for a better built environment.

What we all strive to deliver is complete functionality and reliability. At the core of our MEP contracting services is a commitment to building systems that support safe, efficient, and sustainable environments—from HVAC to electrical panels, piping networks to fire safety systems.



#### Comprehensive Expertise

Our strength lies in the ability to integrate knowledge, tools, and people to meet complex project needs.



#### Client-Centered Approach

We listen, adapt, and deliver with a deep understanding of our clients' goals and project challenges.



#### Reliable Execution

When it comes down to it, timelines, safety, and performance matter. We commit to delivering on time and to the highest standards.



#### Sustainable Results

Every system we build today should support a smarter, greener tomorrow.



## HVAC Works

Dove Contracting LLC strives to offer a high-level of expertise within the complete mechanical engineering line. Our engineers design a variety of projects as per demand/requirements of our valuable clients/ main contractors/ consultants. We are able to provide assessments, recommend alternatives and provide a properly designed high-functioning system to meet the clients very specific individual need.

### Design & Carry Out

- All DX Split AC Systems
- VRV (VRF) AC Systems
- Chillers & Chilled water Plants
- Chilled water systems & networks
- Chilled water pumps
- Chemical dosing system
- All kind of duct works & Air distribution
- Fire rated duct & Fire barrier systems
- Smoke management System
- Air outlets & Accessories
- FAHU's & AHU's
- Ventilation system





## Plumbing Works

Dove Contracting LLC plumbing engineers design with a whole project approach and are capable in influencing high water efficiency, energy, fire protection, pollution systems and a sustainable site. We are able to provide assessments, recommend alternatives, and thus provide high-functioning systems that meet the client's very specific individual requirements as well as assisting in conserving natural resources.

### Design & Carry Out

- Water supply distribution networks
- Electrical & solar water heaters
- Hot & Cold central water systems
- Domestic Water pumps
- Water tanks & storage
- Drainage networks
- Sewerage treatment & Filtration Systems
- Irrigation systems
- Sewage Water pumps
- Sanitary-ware & Accessories





## Electrical Works

Our engineers are able to provide designer services for electrical distribution and lighting systems on a variety of projects thus having an in-depth knowledge base to draw upon. We work very closely with the client to provide accurate assessments, recommend alternatives, and thus provide an environment that is highly functional, safe and aesthetically pleasing to the client.

### Design & Carry Out

- Lighting & Power System
- Wiring Accessories & Light Fixture
- Switchgear & Distribution Boards
- LVP's & Electrical Rooms
- Bus-bar & Power Distribution Systems
- Earthing & Lighting protection Systems
- Cables, Termination & Addressing
- Cable Tray, Trunking & Distribution
- MCC's & MCP's
- Solar PV Systems
- Elect. Stand-by & Duty diesel Generators
- Conduiting & Containments





## Fire Fighting & Fire Alarm System

We provide the most comprehensive engineering solutions and services in the field of fire Fighting & Fire Alarm system. We are able to provide assessments, recommend alternatives and provide a properly designed high-functioning system to meet the clients very specific requirements.

### Design & Carry Out

- Fire Pumps & Fire Pump Rooms
- Fire Network & Sprinkler System
- Fire Hose Reel Cabinet's
- Clean Agent Systems
- Water spray / Deluge Systems
- Foam Spray System
- Pre-action System
- Fire Alarm Systems
- Voice Evacuation Systems
- Emergency Lighting System





## Data & ELV System

Our professional team are able to provide designer services for all kind of low current services for a nenerous type of projects thus having an in-depth knowledge base to draw upon. We work very closely with the client to provide accurate assessments, recommend alternatives, and thus provide an environment that is highly functional, safe and aesthetically pleasing to the client.

### Design & Carry Out

- Data & Telephone Networks
- ODF, IDF & Main Tel. Rooms
- Structure & Fiber Cabling & Networks
- MTV, SMTV & IPTV Systems
- Audio & Video Intercom System
- CCTV System's
- Back Ground Music System's
- Home Automation & Control Systems
- Gate Barrier & Parking Systems
- Access Control & Smart Entrance Control



An aerial photograph of a city skyline at dusk, featuring several prominent skyscrapers. A semi-transparent yellow rectangular box is centered over the image, containing the text "PROJECTS SHOWCASE" in white, bold, uppercase letters. The background shows a dense urban landscape with various buildings and a body of water in the lower-left corner.

# PROJECTS SHOWCASE



# **RUNNING PROJECTS**



## Cove By Imtiaz

- Project Name : 2B+G+3P+Mech+30+RF Residential Building
- Location : 648-8522 Wadi Al Safa 5 , DUBAI, UAE
- Client : Imtiaz Developments
- Consultant : National Engineering Bureau NEB
- Main Contractor : Venco Imtiaz Contracting Company LLC



# Terrazzo Residence By Taraaf

- Project Name : Terrazzo Residences, Two nos. of G+5F+R Residential
- Location : 681-6430, JVC, Dubai, U.A.E.
- Client : Taraf Development LLC
- Consultant : RMJM FZ LLC
- Main Contractor : Al Rakha General Contracting LLC





## Pearl House III by Imtiaz

- Project Name : Pearl House III By Imtiaz G+4P+11+R Res. & Comm. Bldg
- Location : JVC11AAMRM003, JVC, Dubai, UAE
- Client : Imtiaz Developments
- Consultant : Khawajah Engineering Consultancy
- Main Contractor : Venco Imtiaz Contracting Company LLC





## Beach Walk By Imtiaz

- Project Name : Beach Walk Residence (G+2P+12) Residential Building
- Location : 1010333 (DIA-R-0256) - Dubai Island
- Client : Imtiaz Real Estate Investment And Development LLC
- Contractor : Venco Imtiaz Contracting Company LLC





## Hyde Walk by Imtiaz

- Project Name : G+2P+8+R Residential Apartments
- Location : 3347641 Al Satwa, Dubai, UAE.
- Client : Imtiaz Developments
- Consultant : EMSquare Engineering Consultancy
- Main Contractor : Venco Imtiaz Contracting Company LLC



An architectural rendering of a modern, multi-story building. The building features a prominent curved facade with multiple levels of balconies, each enclosed with glass railings. The ground floor is characterized by a series of horizontal slats, creating a textured, screen-like appearance. To the right, a section of the building has a solid, light-colored facade. The scene is set against a clear blue sky with a few birds in flight. In the foreground, a street with cars and pedestrians is visible, suggesting an urban environment. A large, semi-transparent orange banner is overlaid in the center of the image, containing the text 'RECENTLY COMPLETED PROJECTS' in white, bold, uppercase letters.

# RECENTLY COMPLETED PROJECTS



## Ellington Beach House

- Project Name : Ellington Beach House B+G+7F Residential Building
- Location : PJCRC32A\_32H, Palm Jumeirah, Dubai, U.A.E.
- Client : Ellington Properties
- Consultant : ADU, Architectural Design Unit
- Main Contractor : Al Rakha General Contracting LLC



## Westwood Grande II by Imtiaz

- Project Name : G+4P+15F Residential & Retail Building
- Location : JVC18TCP003B, JVC, Dubai, UAE.
- Client : IMTIAZ Developments
- Consultant : Emsquare Engineering Consultants
- Main Contractor : Venco Imtiaz Contracting Company LLC
- MEP Contractor : Dove contracting LLC



## Westwood Grande 1 by Imtiaz

- Project Name : G+4P+14F Residential & Retail Building
- Location : JVC18TCP003A, JVC, Dubai, UAE.
- Client : IMTIAZ Developments
- Consultant : Emsquare Engineering Consultants
- Main Contractor : Venco Imtiaz Contracting Company LLC





## The Valley Retail Centre

- Project Name : Proposed B+G+R Floors commercial building
- Location : P.No: 9150409, Al Yufrah-1, Dubai, UAE.
- Client : EMAAR Development P.J.S.C
- Consultant : Arif & Bintoak Consulting Engineers & Architects
- Main Contractor : Al Rakha general contracting LLC





## Westwood By Imtiaz

- Project Name : Imtiaz Vision Al-Furjan Residential Apartment 2B+G+P+10F
- Location : AFRA039B, Al-Furjan, Dubai.
- Client : Imtiaz Development
- Consultant : Al Saraya Engineering Consultants
- Contractor : VICC | Venco Imtiaz Contracting Co. LLC





## Labor Camp

- Project Name : G+5 Labor Accomodation
- Location : Al Warsan, Dubai
- Client : Abdullah Atiyah Jasim Al-Mohammed
- Consultant : M.E. Engineering Consultants
- Main Contractor : Nad Al Shiba Contracting LLC



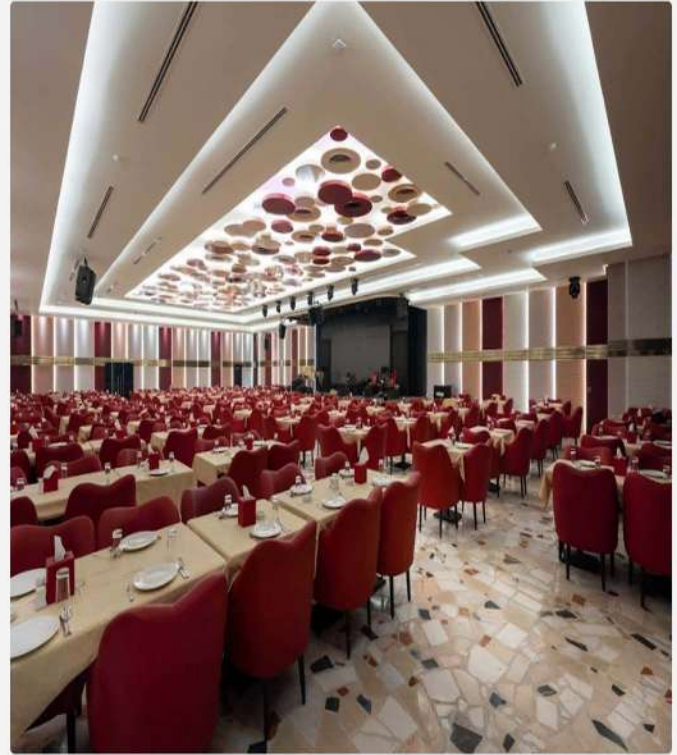
An aerial photograph of a city skyline, featuring a prominent skyscraper (Burj Khalifa) in the center. The foreground shows a complex multi-level highway interchange with several lanes of traffic. The sky is overcast with grey clouds. A semi-transparent orange rectangular box is overlaid in the center of the image, containing the text "OTHER MAJOR PROJECTS" in white, bold, uppercase letters.

# OTHER MAJOR PROJECTS

## Al Koufa Restaruant & Cafe

---

Al Koufa Restaurant & Cafe  
Location : Oud Metha, Dubai - UAE  
Client : Farhan Bouzambou



## G+4 Floors - Residential Building

---

G+ 4 Floors Residential building  
Location : Plot No. RC52 at Dubai South,  
Dubai- UAE  
Client : Mr. Yahya Mohiuddin Mohammed  
Consultant : Mimar Emirates Eng.  
Consultants

## KH Residence

---

2B+G+5F+Gym + RF Residential Building

Location : 598-1336, DIP1, Dubai

Client : Alja Investments Limited

Consultant : ADU, Architectural Design Unit

Main Contractor : Tefco International Contracting



## Talal Residence

---

B+G+5F+GYM+RF Residential & Commercial Building

Location : 597-808, DIP2, Dubai

Client : Talal Humaid Belhoul

Consultant : Castle Architectural Consultants

Main Contractor : First Option Contracting

## G+6 Residential Building

---

G+6F+Gym+RF Residential Building  
Location : 421-421, Al-Warqaa1, Dubai  
Client : Abdulla Abdulrahman Abdulla Qassem  
Consultant : Art Consultants Architect & Engineering  
Main Contractor : Daman Contracting



## AL-Owais Icon Residence

---

B+G+5 Floors Residential Building  
Location : IC3-H29, Intl. City, Dubai  
Client : Ayman Khaled Rafiq Mahmoud  
Consultant : Mimar Emirates Engineering Consultant  
Main contractor : Daman Contracting

## Villa Ben Gadara

---

G+1 Private Villa + Service Block

Location : 367-328 Um-Al-Sheif, Dubai

Client : H.E. Mr. Farhat Ben Gadara

Consultant : Naga Architects, Designer  
& Planners

Main Contractor : EGY Build  
Contracting



## Villa HH. Shk. Mohd. Tahnoon

---

B+G+1 Private Villa

Location : 281-1244, Al Khwaneej 1, Dubai

Client : HH. Shk. Mohamed Bin tahnoon  
Al-Naheyan

Consultant : Naga Architects, Designer &  
Planners

Main Contractor : TUNB General  
Contracting

## Benna G10 Residence

---

B+G+5 Floors Residential Building

Location : IC3-G10, Intl. City, Dubai

Client : Ishag Mohd Ali Al-Hashemi

Consultant : Mimar Emirates

Engineering Consultant

Main contractor : Adnan Contracting



## Al-Maharat Private School

---

G+3+Admin Offices

Location : P1, MHS-25, Shakhbout City,  
Abu Dhabi

Client : KH Education

Consultant : M.N Florence Architects

Main contractor : Gulf Genesis General  
Contracting

## 3B+G+30F+RF, Resd.& Comm. Building

---

Project : 3B+G+30F+RF, Resd.& Comm. Building

Location : 392-433, Marina, Dubai

Client : Al-Masraf Bank

Consultant : MHA, Hegazy Engineering Consultants

Main contractor : CRC



## B+G+7 Commercial Building

---

Project : B+G+7 Commercial Building

Location : 338, Muwailah, Sharjah

Client : Hesham Mohd Al Khateeb

Consultant : Horizon International Consulting Engineers

## Jabel Ali Village - Villas Complex

---

85 Villas - Villas Complex

Location : Jabel Ali 1, Dubai

Client : Nakheel PJSC

Consultant : Al Gurg Consultants

Main Contractor : New Valley Building

Cont. LLC



## Al Owais Building

---

G+6P+HC+39F+RF, Al Owais Tower

Location : 172 Al-Nakheel B, Ajman

Client : Humaid Ali Al-Owais

Consultant : Horizon International

Consulting Engineers

Main contractor : Sun Engineering &

Contracting

## St. Regis Saadiyat Island Resort

---

St. Regis Saadiyat Island Resort  
Location : Al-Saadiyat Island, Abu Dhabi  
Client : AD Tourism Development & Investment  
Consultant : Serex International Consultants  
Main contractor : al naboodah contracting & BK Gulf



## CFO Building

---

2B+G+6 Floors Commercial Offices Building  
Location : 598-1195, DIP1, Dubai  
Client : Dar Kinda Commercial Broker  
Consultant : Mimar Emirates Engineering Consultant  
Main contractor : Class Construction LLC

## LIST OF COMPLETED PROJECTS

Project Type / Name	Project Descr.	Client	Consultant	Location	Completion	Year
Hyde Walk By Intiaz	G+2P+8+R Residential Building	IMTIAZ Developments	Emsquare Engineering Consultants	3347641, Al Satwa, Dubai	50%	2024
Ellington Beach House	B+G+7 Residential & Retail Building	Beach House Real Estate Development LLC	Architectural Design Unit (ADU)	Palm Jumeirah, Dubai	Completed	2024
Westwood Grande 2	G+4P+15F Residential & Retail Building	IMTIAZ Developments	Emsquare Engineering Consultants	JVC18TCP003B, JVC, Dubai	Completed	2024
Westwood Grande 1	G+4P+14F Residential & Retail Building	IMTIAZ Developments	Emsquare Engineering Consultants	JVC18TCP003A, JVC, Dubai	Completed	2024
The Valley Retail Center	Gr Floor Shopping Mall	EMAAR	Arif & Bintok Consulting Architects & Engineers	9150124, Al Yufrah, Dubai	Completed	2024
Al Marwa Labor Camp	Labor Camp G+5 Labor Accommodation	Abdullah Atiyah Jasim Al-Mohammed	Mimar Emirates M.E. Engineering Consultants	Al Warsan, Dubai	Completed	2024
WestWood By intiaz	2B+G+P+10 Floor Residential Building	IMTIAZ Developments	AlSaraya Engineering Consultants	AFRA-39B, Al-Furjan, DUBAI	Completed	2023
VEWS 1	G+4F+HC+Roof Residential Building	Yahya Mohiuddin Mohammed	Mimar Emirates M.E. Engineering Consultants	RC52, Dubai South, Dubai	Completed	2022
Al Hikma Automated Car Parking	6B+G+14 Floors Automated Car Parking	H. Shk. Issa Bni Zayed Al-Nahyan	AREX, Arab Expert Engineering Consultant	Shaikh Zayed Road, Dubai	Completed	2021
Wasl Jad Community Center	Ground Floor Community Center	WASL	NAGA Architects Engineers	Wasl Jad - Phase 1 - Jabal Ali, Dubai	Completed	2020
Talal Residence	B+G+5 Floors+Gym+RF Residential Building	Talal Humaid Belhouli	Castle Architectural Consultants	DIP2, Dubai	Completed	2020
Centurion ONYX	B+G+4F+Roof Residential Building	M.R. SUNIL SHANGHAVI	Architectural Design Unit (ADU)	Meydan, Dubai	Completed	2020
KH Residence	2B+G+5F+Gym+RF Residential Building	Alja Investments Limited	Architectural Design Unit (ADU)	DIP1, Dubai	Completed	2020
Belhouli Vision Labor Camp	G+4 Floors + Roof Labor camp	Saud Talal Humaid Belhouli	Castle Architectural Consultants	Jabel Ali 1, Dubai	Completed	2019
Al-Lsaily Residence	B+G+1+Roof Residential Building	Burj Saif Burj Humaid AL-Mazroei	A & Z Engineering Consultant	Al-Lsaily, Dubai	Completed	2019
SHK. Tahnoon Palace	B+G+1 +Roof Private Villa	HH. Shk. Mohd Tahnoon Al-Nahgan	Naga Architects, Designer & Planners	Al Khwaneej 1 ,Dubai	Completed	2018
Meat Factory	3 Bldg + Off Gr. Floor only Meat Factory	Rowad Al-Khaleej & Saeed Al-Khattal	Al-Jazeera Architect Engineering Consultant	599-1274, Jabel Ali Ind.1, Dubai	Completed	2018
Abdulla Qassem Residence	G+6F+Gym+RF Residential Building	Abdulla Abdulrahman Abdulla Qassem	Art Consultants Architect & Engineering	421-0421, Al-Warqaa1, Dubai	Completed	2017
Ben Gadara Villa	G+1+Gym+RF Private Villa	Farhat Ben Gadara	Naga Architects, Designer & Planners	Um-Al Sheif, Dubai	Completed	2017
Al-Owais Icon Residence	B+G+5 Floors Residential Building	Ayman Khaled Rafiq Mahmud	Mimar Emirates M.E. Engineering Consultants	IC3-H29, Intl. City, Dubai	Completed	2016
Benna G10 Residence	B+G+5 Floors Residential Building	Ishag Mohd Ali Al-Hashemi	Mimar Emirates M.E. Engineering Consultants	IC3-G10, Intl. City, Dubai	Completed	2016
Tadweer Waste Treatment Factory	2 Bldg Gr. Floor only Waste Treatment Factory	Tadweer Waste Treatment Facility	Al-Ajmi Engineering Consultants	Warsan 2, Dubai	Completed	2015
Al-Maharat School	G+2 Floors - 2 Bldg + Off. Private School	KHX Education	M.N Florence Architects	Shakbout, Abu Dhabi	Completed	2015
Milk Factory	2 Bldg + Off Gr. Floor only Milk Factory Extension	Tayseer. Arar Food Industry & Trading	Aroom Architects & Consultants	DIP1, Dubai	Completed	2014
Nakheel Jebel Ali Village	85 Villa Villa's Complex	Nakheel PJSC	Al Gurg Consultants	Jabel Ali 1, Dubai	Completed	2013
Al-Muhaideb Offices	G+1 Offices Building & Sheds	Al-Muhaideb Building Materials	AREX, Arab Expert Engineering Consultant	Techno-Park Jebel Ali, Dubai	Completed	2012
Al-Owais Building	G+6P+HC+39F Multi-Story Residential Tower	Humaid Ali Al-Owais	Horizon International Consulting Engineers	172 Al-Nakheel B, Ajman	Completed	2011

CFO Building	2B+G+6 Floors Commercial Building	Dar Kanda Commercial Broker	Mimar Emirates M.E. Engineering Consultants	DIP1, Dubai	Completed	2011
Al-Saadiyat Resort	G+5+R+Com. area Bldg Hotel	St. Regis Saadiyat Island Resort Tourism Development & Investment	SereX International Consultants	Saadiyat Island, Abu Dhabi	Completed	2011
Al-Masraf Building	3B+G+30F Residential & Comm. Tower	Arab Bank Investment & Foreign Trade. (Al-Masraf)	MHA, Hegazy Engineering Consultants	392 – 433 (5T) Dubai Marina, Dubai	Completed	2010
FEWA Offices Building	G+1, 7 Buildings FEWA Comm. Offices Building	FEWA, Fdreal Electricity & water Authority	Al-Emar Engineering Consultant	Khiran, Ras Al-Khaimah	Completed	2009
Buhaleeba Residence 1	G+10 Floors Residential Building	Khalid Ali Buhaleeba	GEC Engineering Consultants	Nahda, Dubai	Completed	2008
Buhaleeba Residence 2	G+12 Floors Residential Building	Ayoub Mohd. Abdul-Karim	GEC Engineering Consultants	Nahda, Dubai	Completed	2008
B+G+7 Building	B+G+7 Floors Residential Building	Hesham Mohd Al Khateeb	Horizon International Consulting Engineers	338, Muwailah Sharjah	Completed	2008
Ms. Hana Residence	G+M+3 Floors Residential Building	Hana Obaid Ali Helo	ART Engineering Consultants	Al-Qusais, Dubai	Completed	2007
Al-Mur Commercial Building	G+3F+Gym Commercial Building	Al-Mur Saeed Ali Bin Heliyah	Al-Maktab Al-Asri	Al-Warqaa1, Dubai	Completed	2007
Ms. Fatma Tower	3B+G+30 Residential & Comm. Tower	Fatma Mohd. Mussabeh Belgaiz	Khatib & Alami Engineering Consultants	JLT, Dubai	Completed	2007
G+12 Residential Building	G+12 Floors Residential Building	Ahmed Bin Desmal	House of Experts Engineering Consultants	Qusais, Dubai	Completed	2007
29 Villa's Complex	29 Villa Villa's Complex	Mirriage Fund	Safeer Engineering Consultant	Hor-Alanz, Dubai	Completed	2007
EIA Building	G+3 Floors Commercial Building	EIA Star	AREX, Arab Expert Engineering Consultant	Media City	Completed	2006
Lootah Labor Camp	G+2 Floors Labor Camp	Lootah Real Estate Dev.	Port Saeed Engineering Consultant	Al-Quz	Completed	2006
Villa's Complex	8 Villa Villa's Complex	Hilal Mohd. Al-Mazrooe	Engineering Consortium Consulting	Ruwaya	Completed	2006
G+14F Building	2B+G+14F Residential Building	Saif Ali Bin-Kataib	House of Experts Engineering Consultants	Nahda, Dubai	Completed	2006
G+7 Building	G+7 Floors Residential Building	Mohd. Hasan Hamad Al- Qarbi	Fawzg Orabg	-	Completed	2005
Al-Muhairi Building	G+7 Floors Residential Building	Khalifa Al-Muhairi	Private Engineering Office	-	Completed	2005
37 Villa's Complex	37 Villa Villa's Complex	Salem Khamis Sabt Al- Suwaidi	Model Engineering Consultants	Al-Jafliya, Dubai	Completed	2005
Al Nuaimi Hotel	G+3 Floors Hotel	HH. Shk. Humaid Al Nuaimi	Al-Sadaf Engineering Consultants	Ajman	Completed	2005
Suhail Al-Maktoum Hotel	G+4 Floors Hotel	Shk. Amaon Suhail Al- Maktoum	Al-Ruwad Engineering Consultants	DIP1, Dubai	Completed	2005
Private Villa	G+1 Private Villa	Abdulla Al-Zafeen	Dewan Al-Emara Consultants	-	Completed	2004
Private Villa	G+1 Private Villa	Mohamed Saif Hussain	Al-Jethoor Engineering Consultants	-	Completed	2004
Private Villa	G+1 Private Villa	Anna Mubarak	Al-Jethoor Engineering Consultants	-	Completed	2004
Private Villa	G+1 Private Villa	Yaqoob Yousuf Abdulla	Paradise Home Engineering	-	Completed	2004
Private Villa	G+1 Private Villa	Abdul Rahman Abdullah	Paradise Home Engineering	-	Completed	2004
Private Villa	G+1 Private Villa	Abdulla Yousof Al-Saeed	AREX, Arab Expert Engineering Consultant	-	Completed	2004
Private Villa	G+1 Private Villa	Lahej Saif Al-Hajri	Spectrum Engineering Consultants	-	Completed	2004
Private Villa	G+1 Private Villa	Najed Al-Shamsi	IAN Bonham & Associates	-	Completed	2004

Private Villa	G+1 Private Villa	Shk. Ahmed Bin-Sultan Al-Qasbiy	Dimensions Engineering Consultant	-	Completed	2004
G+4 Building	G+4 Floors Residential Building	Mohsen Mohamed	Al-Safeer	-	Completed	2004
Labor Camp	G+2 Floors Labor Camp	Iskander Jewellery Group	Orde Engineering Consultant	-	Completed	2004
Bellinger Offices	G+2 Floors Offices Building	Bellinger	AREX, Arab Expert Engineering Consultant	-	Completed	2004
Techno Park Offices	G+1 Offices Building & Sheds	Dubai Cooperative Society	Port Saeed Engineering Consultant	-	Completed	2004
Hadeed Emirates Offices	G+1 Offices Building	Hadeed Emirates	Private Engineering Office	-	Completed	2004
Dubai Real Estate Offices	G+1 Administration Offices	Dubai Real Estate	Orion Engineering Consultants	-	Completed	2004
Al-Gurair Commercial Building	G+3 Floors Commercial Building	Al-Gurair Investment	Bin Dalmouk Engineering Consultant	-	Completed	2004
Ghadeer Building	G+3 Floors Commercial Building	Matar Ghadeer	House of Experts Engineering Consultants	-	Completed	2004



**THANK  
YOU**



00971 42 974222



00971 42 974461



[www.dovecont.com](http://www.dovecont.com)



[info@dovecont.com](mailto:info@dovecont.com)



Dubai, UAE